

# 41M

## JXR 41-4.16



### GENERAL

PIPE SIZE (ID)	<b>125 mm (5")</b>
BOOM CONTROL VALVE	<b>Proportional (by HAWE)</b>
RADIO REMOTE	<b>Dual Wireless Transmitter System</b>
VIBRATOR	<b>Standard</b>
WATER PUMP	<b>Hydraulic Power 20 bar (290 psi)</b>
WATER TANK	<b>800 L (211 G)</b>
WEAR PARTS	<b>Carbide</b>
POPULAR UPGRADES <sup>‡</sup>	<ul style="list-style-type: none"> <li>• LED Boom Light Kit</li> <li>• LED Outrigger Lights</li> <li>• Heated Water Tank</li> <li>• Heated Hydraulic Tank</li> <li>• Air-Cuff</li> <li>• Twin Wall Pipe</li> <li>• 20 Cell Pump Kit</li> <li>• 18 Cell Pump Kit</li> </ul>

### BOOM

NUMBER OF BOOMS	<b>4 Sections</b>
FOLDING TYPE	<b>R Fold</b>
VERTICAL HEIGHT	<b>40.5 m (132'10")</b>
HORIZONTAL REACH	<b>36.5 m (119'9")</b>
UNFOLDING HEIGHT	<b>9.8 m (32'2")</b>
1ST SECTION	<b>9.7 m (31'10")</b>
2ND SECTION	<b>8.8 m (28'10")</b>
3RD SECTION	<b>8.9 m (29'2")</b>
4TH SECTION	<b>9.1 m (29'10")</b>
OUTRIGGER	<b>X-Style</b>
FRONT SPREAD	<b>7 m (23')</b>
REAR SPREAD	<b>7.6 m (24'10")</b>

<sup>‡</sup>More options available, ask your sales rep for details.

### PUMP

OUTPUT:	<b>Rod Side</b>	<b>164 m<sup>3</sup>/h (215 yd<sup>3</sup>/h)</b>
	<b>Piston Side</b>	<b>102 m<sup>3</sup>/h (133 yd<sup>3</sup>/h)</b>
PRESSURE:	<b>Rod Side</b>	<b>72 Bar (1044 psi)</b>
	<b>Piston Side</b>	<b>115<sup>‡</sup> bar (1668 psi)</b>
CONCRETE CYLINDER DIAMETER	<b>230 mm (9")</b>	
CONCRETE CYLINDER TYPE	<b>Hard Chromed</b>	
STROKE LENGTH	<b>2100 mm (83")</b>	
S-TUBE SIZE	<b>9" x 7"</b>	
MAIN OIL PUMP	<b>Rexroth hydromatic A11VLO260</b>	
HYDRAULIC SYSTEM PRESSURE	<b>350 bar (5076 psi)</b>	
LUBE SYSTEM (HOPPER)	<b>Automatic</b>	
SWITCHING SYSTEM	<b>Hydraulic</b>	
HOPPER CAPACITY	<b>Easy Clean 600 L (158 G)</b>	
NUMBER OF STROKES/MIN	<b>31</b>	
OUTPUT CONTROL RANGE	<b>10(13)-164m<sup>3</sup>/h (215yd<sup>3</sup>/h)</b>	

<sup>‡</sup>Not to be used through boom pipe

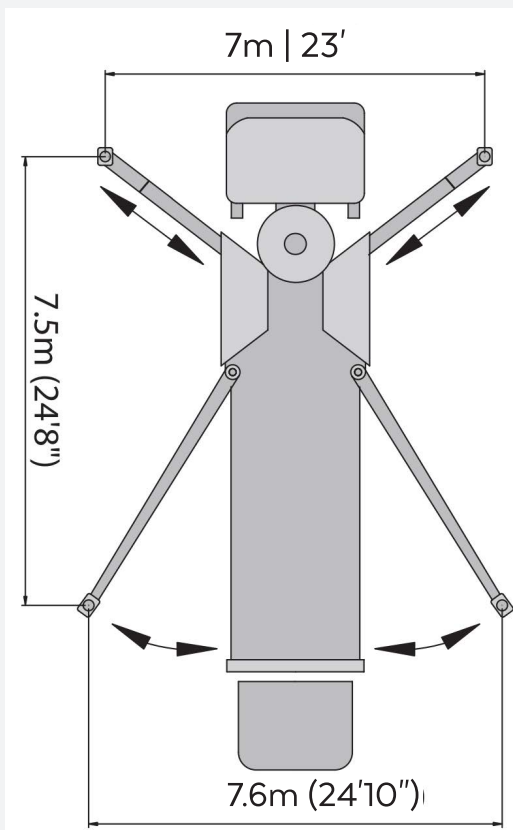
Alliance Concrete Pumps Inc. reserves the right to make changes to all specifications

# CHASSIS

MAKE/MODEL	FRONT AXLE	REAR AXLE	OVERALL LENGTH	TOTAL WEIGHT
<b>LARGE CONVENTIONAL</b>	18,400 lbs	43,300 lbs	45'3" / 13.8m	61,700 lbs
<b>CAB OVER</b>	19,600 lbs	41,650 lbs	42'3" / 12.9m	61,250 lbs

# DIAGRAMS

## OUTRIGGER EXTENSION



## BOOM PUMP REACH

